

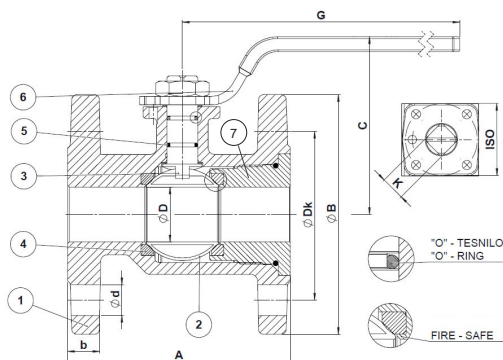
KPC-G IZ NODULARNE LITINE / KPC-G DUCTILE IRON

// Polni pretok / Full bore

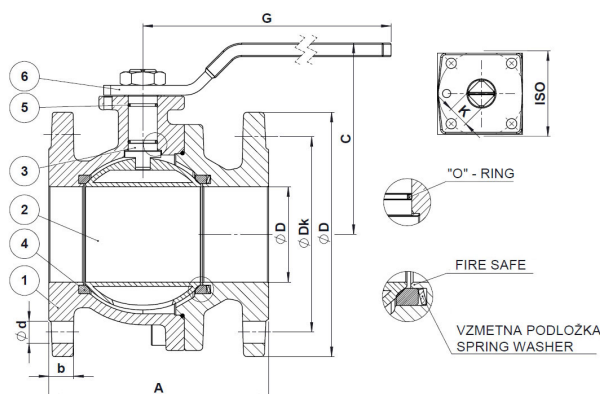
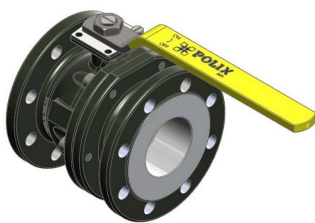


GAR

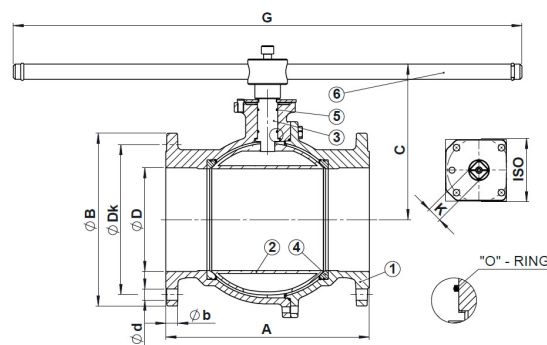
DN25-DN50



DN65-DN150



DN200



Materiali / Materials

1	Ohišje Body	Nodularna litina – EN-GJS-400-15 (GGG40) Ductile Iron – EN-GJS-400-15)	5	O-Obroč O-Ring	Viton (+60 °C) - FKM
2	Votla krogla Hollow ball	Nerjavno jeklo – 1.4301 (X5CrNi18-10) AISI 304 Stainless steel - 1.4301 (X5CrNi18-10) AISI 304	6	Ročica Handle	Oglikovo jeklo (cinkano) – S235JR (St 37-2) Carbon steel (galvanized) – S235JR (St 37-2)
3	Vreteno Stem	Nerjavno jeklo – 1.4028 (X30Cr13) AISI 420 Stainless Steel – 1.4028(X30Cr13) AISI 420	7	Matica (DN25-DN50) Tightening nut (DN25-DN50)	Oglikovo jeklo – A105, P235TR2 Carbon steel – A105, P235TR2
4	Tesnilo krogle Ball seats	Teflon – PTFE			

// Delovna temperatura / Working temperature: -20 °C/+60 °C

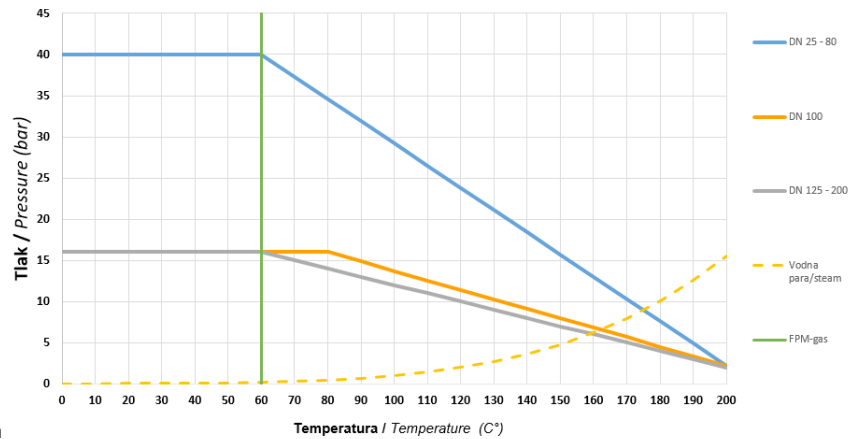
Navor / Torque

DN	Maks. navor Max torque P = 16 bar T = 20°C	Maks. navor Max torque P = 40 bar T = 20°C	Priporočljivi navor za pogon Recommendable torque for actuator
	[Nm]	[Nm]	[Nm]
25	15	20	30
32	20	30	45
40	25	40	60
50	35	55	80
65	45	80	120
80	60	100	150
100	90	150	200
125	180	350	450
150	250	500	700
200	400	700	1000

Opombe: Navori so bili izmerjeni s čisto vodo pri sobni temperaturi na ventilih s PTFE tesnili. Navor se lahko poveča pri ventilih, ki imajo tesnila iz drugačnih materialov, pri merjenju z različnimi tekočinami, višjimi temperaturami, posebnimi obratovalnimi pogoji in/ali v primeru, da je ventil dlje časa pod diferenčnim tlakom, ne da bi obratoval.

Remarks: The torques were measured on valves supplied with virgin PTFE seats, with clean water at room temperature. For valves with other seat material, different fluids, higher temperatures, specific operating conditions and/or in case the valve is kept for a long time under differential pressure without being operated, the torque can increase.

Diagram tlak I temperatura / Pressure I temperature chart



Tesnila vreteno, ohišje / Stem, body seals

FPM-gas (Max 60°C)

KPC-G DN ... PN16 DP VX PX - ISO



Art.	DN	A	ØB	C	ØD	G	b	ØDk	Ød	Št./Nr.	ISO zgornja prirobnica / Top flange	Nastavek / Shaft K x h	Teža / weight [kg]
A954423	25	125	115	76	25	153	18	85	14	4	F04	□ 11 x 13,5	3,85
A954424	32	130	140	92	31	237	18	100	18	4	F04	□ 14 x 18	5,60
A954425	40	140	150	97	39	276	18	110	18	4	F05	□ 14 x 18	6,75
A954426	50	150	165	105	49	276	20	125	18	4	F05	□ 14 x 18	8,70
A954427	65	170	185	124	63	340	18	145	18	4	F07	□ 17 x 23	13,95
A954428	80	180	200	133	76	340	20	160	18	8	F07	□ 17 x 23	17,55
A954429	100	190	220	153	100	340	20	180	18	8	F07	□ 17 x 23	21,80
A954430	125	200	250	183	125	541	22	210	18	8	F10	□ 22 x 27	29,70
A954433	125	325*	250	183	125	541	22	210	18	8	F10	□ 22 x 27	34,60
A954431	150	210	285	203	142	541	22	240	22	8	F10	□ 22 x 27	38,55
A954434	150	350*	285	203	142	541	22	240	22	8	F10	□ 22 x 27	45,70
A954432	200	400*	340	316	200	1000	24	295	22	12	F12	□ 27 x 31	85,65

Opombe

DN25 in DN32 sta s polno inox kroglo.

Vgradna dolžina ustreza standardu EN558-1 Basic series 14.

*Vgradna dolžina ustreza standardu EN558-1 Basic series 27.

Nadgradnje na strani 89 - 95.

Notes

DN25 and DN32 are with inox full ball.

Face to face dimensions conform to EN558-1 Basic series 14.

*Face to face dimensions conform to EN558-1 Basic series 27.

Upgrades on pages 89 - 95.

O₂

Na zahtevo možna izdelava za kisik.

Ball valves for oxygen available upon request.