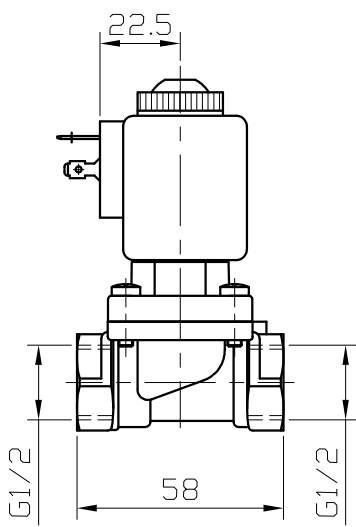
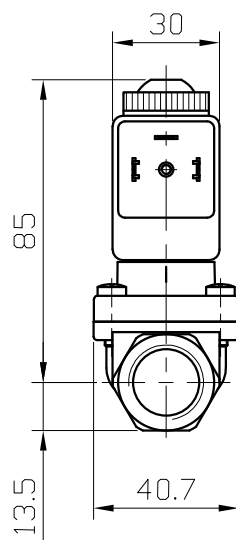


Ports	Orifice Size [mm]	Flow coefficient kv [l/min] water at 1 bar	Differential pressure [bar]		Material		Mass [kg]	Coil type	Model	Voltage	Power [W]	Order code
			min	max	body	seal						
G1/2	10	20	0.5	9	Brass	PTFE	0.49	TM30	M246	230 V AC	7	340610
										115 V AC	10	340660
										48 V AC	7	340529
								TM35	M246	24 V AC	8	340630
										24 V DC	12	340640
										12 V DC	10	340650



Coil type TM30



Coil type TM35

