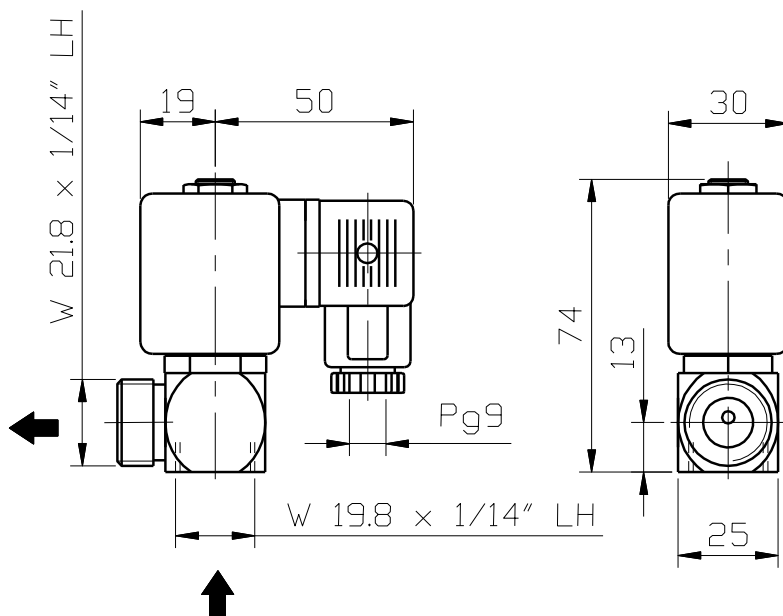


Ports	Orifice size [mm]	Kv [m³/h] air at 1 bar	Differential pressure [bar]		Material		Mass [kg]	Coil type	Voltage	Power [W]	Type	Order code
			min	max	body	seal						
inlet to gas cylinder, outlet to pressure regulator	2	6	0	10	Brass	NBR	0.6	TM30	230 V AC	7	PL10	350486
									12 V DC	10	PL10	350485
							0.42	TM30	12 V DC	10	PL3	350488

**EN 161 Certificate of Conformity**

**Type PL3 (for 3 kg propane gas cylinders)**



## Type PL10 (for 10 kg propane gas cylinders)

