

# IN-Z61 - IN-Z65

## Low frequency pulse transmitter



### Applications

Retrofittable pulse transmission from a mechanical index

### Brief information

The pulsers IN-Z61-INZ65, in conjunction with Elster diaphragm gas meters, are applicable with standard index. Integrated Reed contacts periodically open and close depending on the index progress. In connection with an additional device the consumption data can be used for further data processing.

**Operating principle:** A pulse magnet in the first moving drum of the index type Z3/ Z6 activates a reed switch in the pulse transmitter.

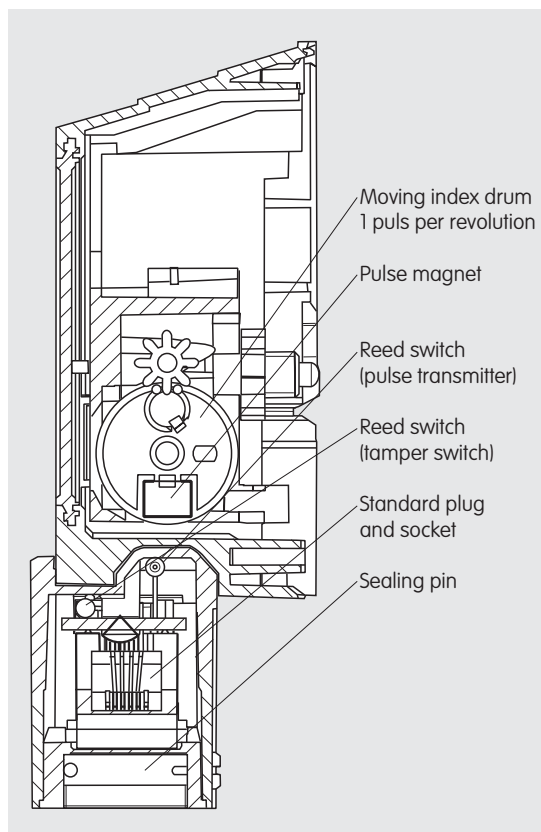
A second reed switch allows the detection of magnetic tampering and interruption of the cable connection. (Not for IN-Z62)

The pulse transmitter can be connected via a sealable standard plug and socket system only for IN-Z61).

Diaphragm gas meters BK-G1,6 to BK-G100 are equipped with the index Z3/ Z6 and pulse magnet and can be retrofitted anytime without breaking the government's seal.

Diaphragm gas meters BK-G40 to BK-G100 are equipped with the IN-Z61 serial.

The pulse transmitter is fixed to the index at a separate sealing point.



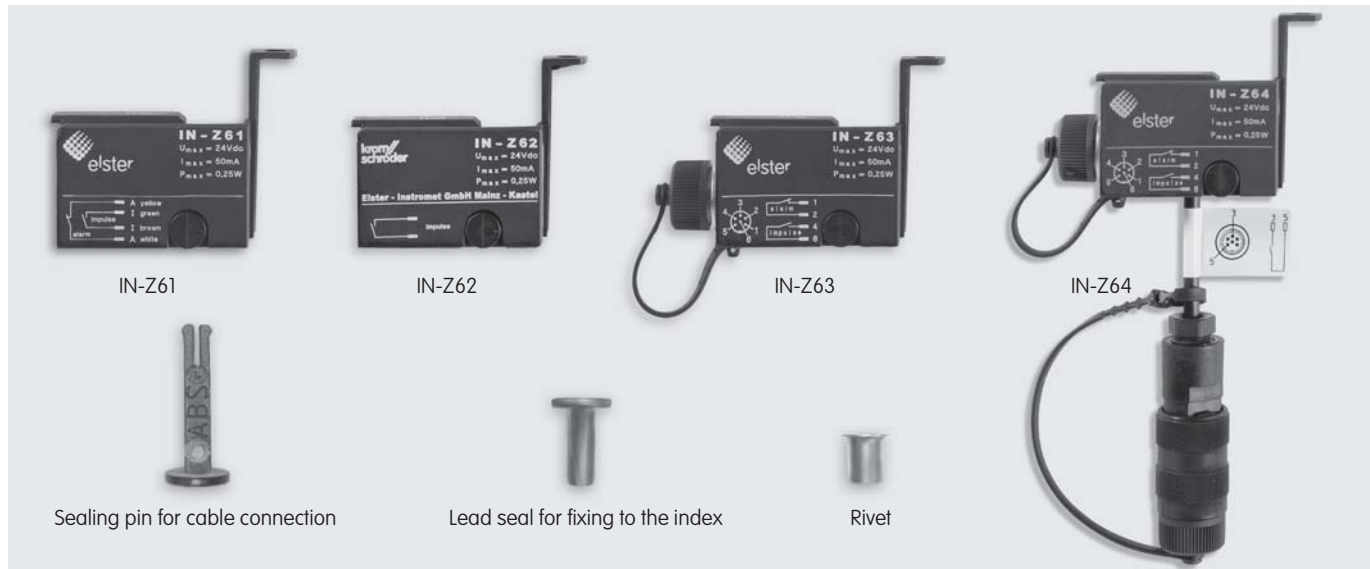
### Main features

- Applicable for all Elster diaphragm gas meters with pulse output
- Retrofittable (on request)
- Assembly without impairment of calibration validity
- Alarm contact (see versions)

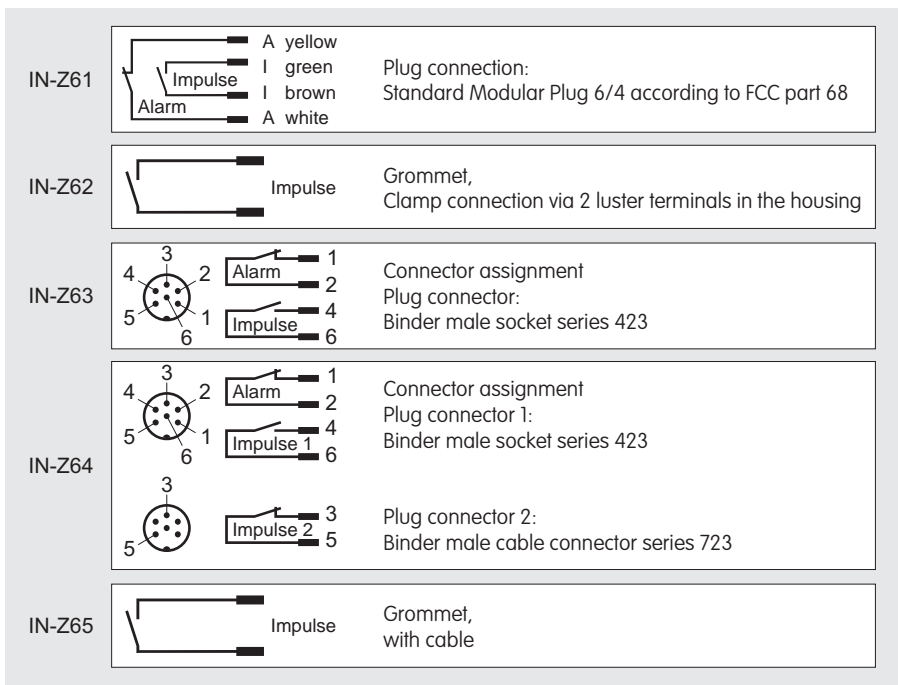
# IN-Z61 - IN-Z65: Low frequency pulse transmitter

Technical Data	
Lifetime	min $2 \times 10^7$ (operations of the totalizing switch)
Voltage	$U_{max} = 24 \text{ V DC}$
Current	$I_{max} = 50 \text{ mA}$
Power	$P_{max} = 0,25 \text{ W}$
Closing time	$t_{min} = 0,25 \text{ s}$
Resistance	$R_{max} = 0,5 \Omega$ (closed)

## Versions of the pulse transmitter



## Contacts of the pulse transmitter



A: Alarm contact, reed switch (normally closed)  
 I: Totalizing contact, reed switch (normally open)

## Your contacts

Germany  
 Elster GmbH  
 Steinern Str. 19 - 21  
 55252 Mainz-Kastel  
 T +49 6134 605 0  
 F +49 6134 605 223  
 www.elster-instromet.com  
 info@elster-instromet.com

Belgium  
 Elster-Instromet N.V.  
 Rijkmakerlaan 9  
 2910 Essen  
 T +32 3 670 0700  
 F +32 3 667 6940  
 www.elster-instromet.com  
 info@elster-instromet.com

Singapore  
 Elster-Instromet Sdn. Bhd. (Singapore Branch)  
 160 Paya Lebar Road  
 #04-01 Orion@Paya Lebar  
 Singapore 409022  
 T +65 6247 7728  
 F +65 6247 7729  
 sales@elster-instromet.com.sg

IN Z EN05  
 A28.09.2009