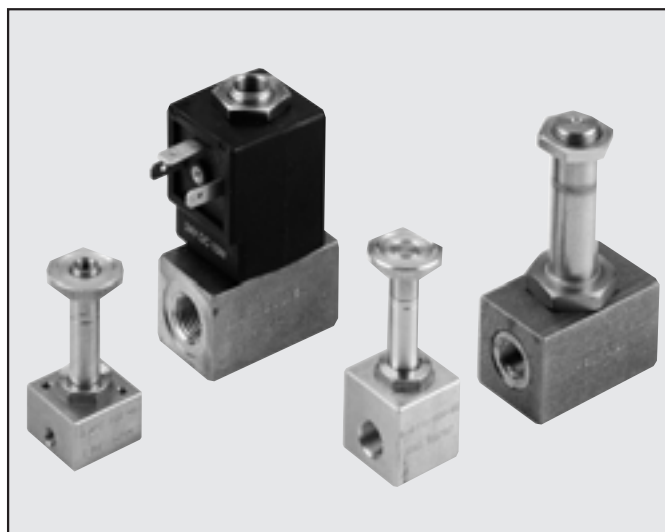




PIV VALVES IN LINE

- PIV.I – PIV.B in-line solenoid valves
- Threaded ports: M5 G1/8" G1/4"
- 2/2 – 3/2 solenoid valves - normally closed/normally open
- Installation in any position
- Particularly suitable for high operating frequencies and low response times.

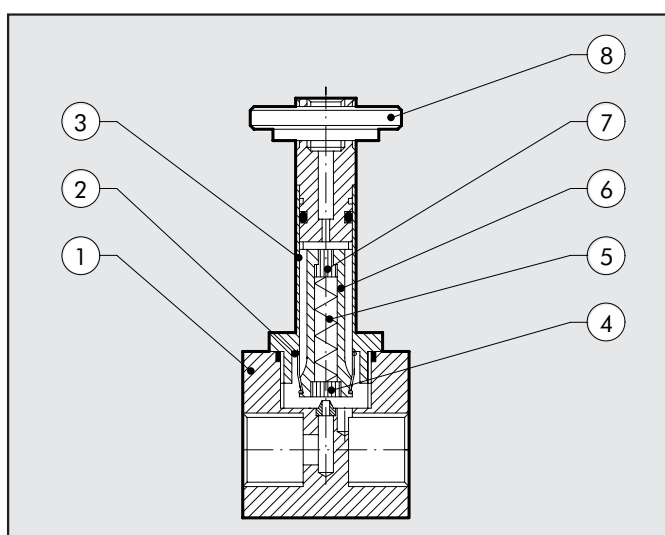


2

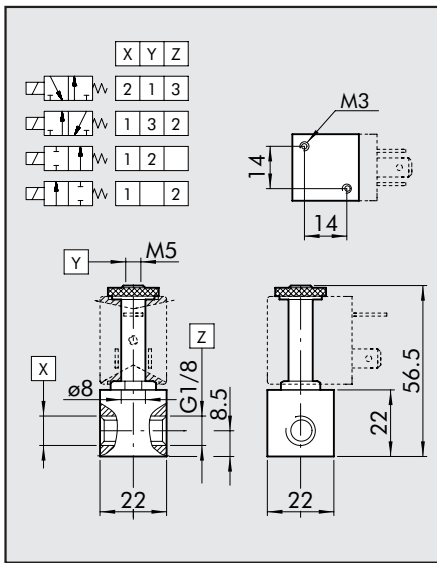
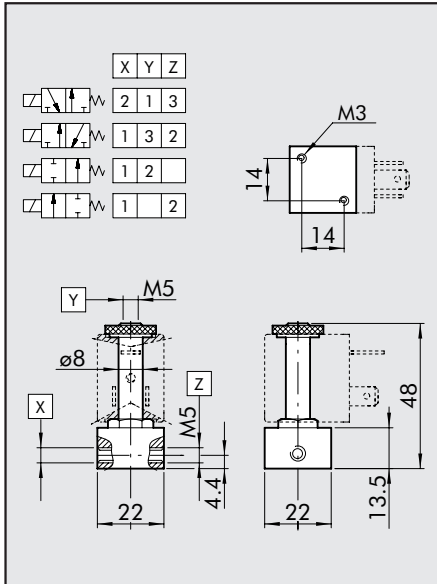
TECHNICAL DATA		PIV.I IN LINEA	PIVT IN LINE
Absorption	W	2÷5W	10W - 13VA
Voltage available	V	24Vdc - 24-110-220 Vac - 50/60 Hz	24Vdc - 24-110-220 Vac - 50/60 Hz
Voltage tolerance	ΔV	-10 to +15%	-10 to +15%
Maximum operating frequency	f	30 Hz	15 Hz
Solenoid rating	ED	100%	100%
Response time	t	8÷15 msec	10÷15 msec
Type of protection		IP 65	IP 65
Type of coil		coil side 22 Ø 8 DIN 43650	coil side 30 DIN 43650
Insulation class	F	155	155
Ambient temperature	Te	-15÷50°C	-15÷50°C
Fluid temperature	Tg	-15÷50°C	-15÷50°C
Fluid		filtered lubricated or unlubricated air	filtered lubricated or unlubricated air
Working life		25 million cycles	-
Weight	[g]	80 to 120 g (depending on version)	250 g
Maximum coil/nut torque		1 Nm	1 Nm

COMPONENTS

- ① Body: brass OT 58
- ② Springs: steel
- ③ Sleeve
- ④ Gasket: NBR
- ⑤ Springs: steel
- ⑥ Mobile core
- ⑦ Gasket: NBR
- ⑧ Nut: Aluminium

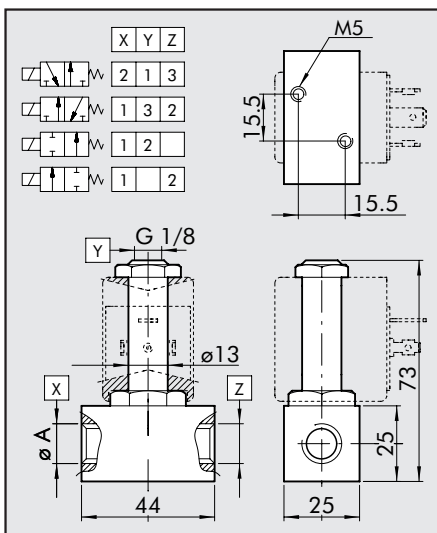


PIV.I VALVES, OPERATOR Ø 8 mm, IN LINE – M5 – 1/8"

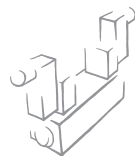


Symbol	Ordering code	Description	Input thread	Diameter of air hole mm	Kv factor	Maximum operating pressure (bar)	
						DC = 5W	AC = 5VA
	W4017000100	PIV42I5S NC	M5	1.2	0.65	30	30
	W4017001300	PIV92I8S NC	G1/8"	2.4	2	6	7
	W4017001100	PIV42I8S NC	G1/8"	1.2	0.65	30	30
	W4017001200	PIV72I8S NC	G1/8"	1.6	1.2	15	14
	W4017000101	PIV72I5S NO	M5	1.6	0.8	10	10
	W4017001201	PIV72I8S NO	G1/8"	1.6	0.8	10	10
	W4017003100	PIV43I5S NC	M5	1.2	0.65	10	10
	W4017004100	PIV43I8S NC	G1/8"	1.2	0.65	10	10
	W4017004200	PIV73I8S NC	G1/8"	1.6	1	6.5	6.5
	W4017004201	PIV73I8S NO	G1/8"	1.6	0.7	6	7

PIV.B VALVES, OPERATOR Ø 13, IN LINE



Symbol	Ordering code	Description	Input thread	Diameter of air hole mm	Kv factor	Maximum operating pressure (bar)	
						DC = 10W	AC = 13VA
	W4026005001	PIV73B8S NO	G1/8"	1.6	1.2	6	12
	W4026005101	PIV73B4S NO	G1/4"	1.6	1.2	6	12
	W4026005111	PIV93B4S NO	G1/4"	2.4	2	3	4
	W4026005010	PIV93B8S NC	G1/8"	2.4	2.8	8	10
	W4026005020	PIVW3B8S NC	G1/8"	3	4	5.5	6
	W4026005000	PIV73B8S NC	G1/8"	1.6	1.4	14	17
	W4026005100	PIV73B4S NC	G1/4"	1.6	1.4	14	17
	W4026005110	PIV93B4S NC	G1/4"	2.4	2.8	8	8
	W4026005120	PIVW3B4S NC	G1/4"	3	4	5.5	6
	W4026004000	PIV92B4S NC	G1/4"	2.4	3	15	30
	W4026004010	PIVX2B4S NC	G1/4"	4	7	3	18
	W4026004020	PIVZ2B4S NC	G1/4"	6	10	1.5	8
	W4026004001	PIV92B4S NO	G1/4"	2.4	2.6	13	15



KEY TO CODES

P	I	V	7	2	B	4	S	N	C					
FAMILY			AIR HOLE	NUMBER OF WAYS	CONNECTION	THREAD	VERSION	FURTHER DETAILS						
			4	1.2 mm	2	2 ways	I	22x22	5	M5	S	Standard	NC	normally closed
			7	1.6 mm	3	3 ways		operator Ø 8	4	G1/4"			NO	normally open
			9	2.4 mm			B	30x30	8	G1/8"				
			W	3 mm				operator Ø 13						
			X	4 mm										
			Z	6 mm										