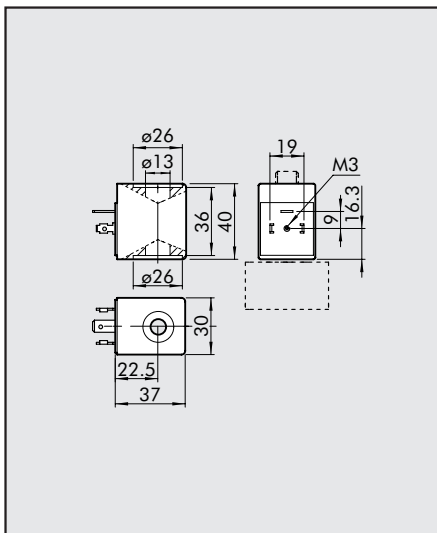


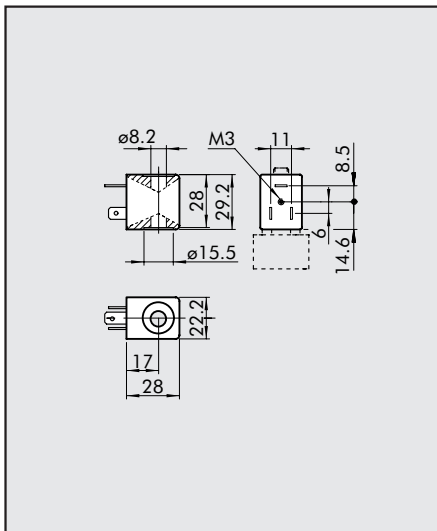
COIL, SIDE 30 mm - FOR PIV.B SOLENOID VALVES



- Voltage tolerance: - 10 / + 15%
- Insulation class: M180
- Degree of protection: IP65 – EN60529 with connector
- Avoid prolonged exposure to the atmospheric agents

Code	Nominal voltage	Absorption (average)	Abbrev.
W0216001001	24Vcc	10W	Coil 30 Ø13 10W-24VDC
W0216001011	24V 50/60Hz	13VA	Coil 30 Ø13 13VA-24VAC
W0216001021	110V 50/60Hz	13VA	Coil 30 Ø13 13VA-110VAC
W0216001031	220V 50/60Hz	13VA	Coil 30 Ø13 13VA-220VAC

COILS ON THE 30 mm - SIDE FOR SOLENOID VALVES, SERIES PIV.B



- Voltage tolerance: - 10 / + 15%
- Insulation class: F155
- Degree of protection: IP65 – EN60529 with connector
- Avoid prolonged exposure to the atmospheric agents
- Maximum temperature of coil at 100% use: 70°C at 20° ambient temperature

Code	Nominal voltage	Absorption		Abbrev.
		Inrush	Holding	
W 0215 000151	12Vcc	2W	2W	Coil 22 Ø8 BA 2W-12VDC
W 0215 000101	24Vcc	2W	2W	Coil 22 Ø8 BA 2W-24VDC
W 0215 000111	24V 50/60Hz	4VA	3VA	Coil 22 Ø8 BA 3VA-24VAC
W 0215 000121	110V 50/60Hz	4VA	3VA	Coil 22 Ø8 BA 3VA-110VAC
W 0215 000131	220V 50/60Hz	4VA	3VA	Coil 22 Ø8 BA 3VA-220VAC
W 0215 000051	12Vcc	5W	5W	Coil 22 Ø8 5W-12VDC
W 0215 000001	24Vcc	5W	5W	Coil 22 Ø8 5W-24VDC
W 0215 000011	24V 50/60Hz	8VA	5VA	Coil 22 Ø8 5VA-24VAC
W 0215 000021	110V 50/60Hz	8VA	5VA	Coil 22 Ø8 5VA-110VAC
W 0215 000031	220V 50/60Hz	8VA	5VA	Coil 22 Ø8 5VA-220VAC

