

Bourdon Tube Pressure Gauges

Square and Edgewise Panel Mounting Series, Class 1.6 • Model 214.11

Pressure Gauges

Service intended

Panel mounting industrial pressure gauge.
Suitable for all gaseous and liquid media that will not obstruct the pressure system or attack copper alloy parts.

Design

DIN 43 700

Nominal size

48 x 24, 72 x 36, 72 x 72 and 96 x 96 mm

Accuracy class per EN 837-1 /6

1.6

Scale ranges per EN 837-1 /5

48 x 24 mm: 0 ... 0.6 to 0 ... 40 bar
72 x 36 mm: 0 ... 0.6 to 0 ... 40 bar
72 x 72 mm: 0 ... 0.6 to 0 ... 400 bar
96 x 96 mm: 0 ... 0.6 to 0 ... 1000 bar
or other equivalent units of pressure or vacuum

Working pressure

Steady: $\frac{3}{4}$ full scale value
Fluctuating: $\frac{2}{3}$ full scale value
Short time: full scale value

Operating temperature

Ambient: -20 ... +60 °C
Medium: +60 °C maximum

Temperature effect

When temperature of the pressure element deviates from reference temperature (+20 °C):
max. $\pm 0.4 \%$ /10 K of true scale value

Standard features

Pressure connection

Material: Cu-alloy (≥ 600 bar stainless steel 316L)
Threaded entry per EN 873-1 /7.3
G $\frac{1}{4}$ B (male), 14 mm flats
48 x 24 mm: G $\frac{1}{8}$ B (male)

Pressure element

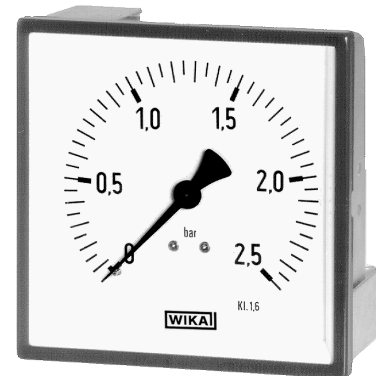
Material: Cu-alloy
 ≤ 60 bar: C-type
 > 60 bar: helical type

Movement

Material: Cu-alloy

Dial

White aluminium with black lettering
72 x 72 and 96 x 96 mm with pointer stop pin



Pointer

Black aluminium

Case / Chassis per DIN 43 700

72 x 72 and 96 x 96 mm: galvanized steel case
48 x 24 and 72 x 36 mm: Cu-alloy chassis

Window

Instrument glass

Panel frame per DIN 43 718

72 x 72 and 96 x 96 mm: snap-fit, small frame, black finish steel
48 x 24 mm: integral wide frame, black finish brass
72 x 36 mm: integral wide frame, black plastic

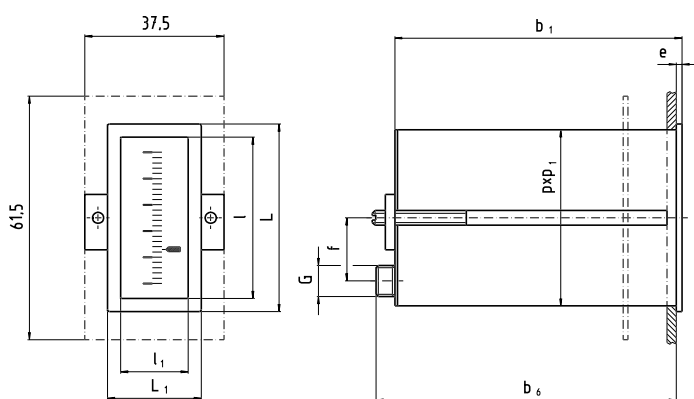
Optional extras

- Other pressure connection
- 72 x 72 and 96 x 96 mm: pressure system stainless steel 316L (model 234.11) wide panel frame

Dimensions

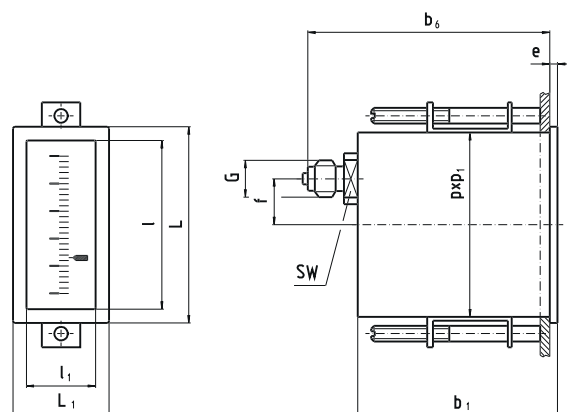
Standard versions

48 x 24 mm, lower back pressure entry (LBM)



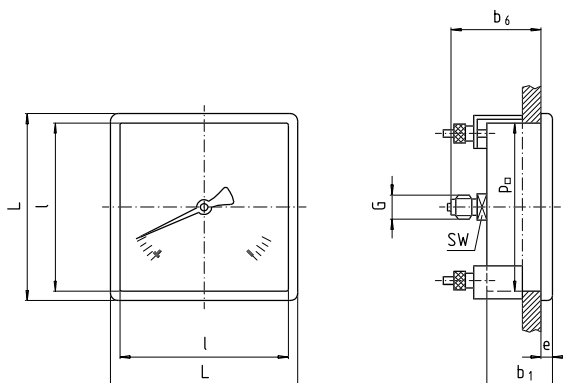
1034 618

72 x 36 mm, upper back pressure entry



1034 626

72 x 72 and 96 x 96 mm centre back pressure entry (CBM)



1034 600

Nominal size	Dimensions [mm]												Weight [kg]
	b ₁	b ₆	e	f	G	L	L ₁	l	l ₁	p x p ₁	p□	SW	
48 x 24	75.5	83.5	2	14	G 1/8 B	48	24	38	14	44.5 x 20.5	-	-	0.17
72 x 36	74.5	86.5	4	21	G 1/4 B	72	36	56	20	66 x 29	-	14	0.25
72 x 72	29	42	6	-	G 1/4 B	72	-	62	-	-	66	14	0.30
96 x 96	35	47	6	-	G 1/4 B	96	-	88	-	-	90	14	0.40

Standard pressure entry with parallel thread and seating to EN 837-1 / 7.3.

Ordering information

State:

Pressure gauge model / Nominal size / Scale range / Size and location of connection / Optional extras required

Specifications and dimensions given in this leaflet represent the state of engineering at the time of printing. Modifications may take place and materials specified may be replaced by others without prior notice.

