

# Capsule Pressure Gauges Model 612.20, Industrial Series

WIKA Data Sheet PM 06.02

## Applications

- Robust design and ingress protection IP 54, suitable for outdoor use
- Suitable for dry and gaseous media that will not attack copper alloy parts
- Medical, vacuum, environmental, laboratory technology, for contents measurement and filter monitoring

## Special Features

- Zero adjustment through window
- Stainless steel case
- Special location of connection on request
- Low scale ranges from 0 ... 6 mbar



Capsule Pressure Gauge Model 612.20

## Description

### Design

EN 837-3

### Nominal size

63, 100 and 160 mm

### Accuracy class

1.6

### Scale ranges

63 mm: 0 ... 25 mbar to 0 ... 600 mbar  
 100 mm: 0 ... 10 mbar to 0 ... 600 mbar  
 160 mm: 0 ... 6 mbar to 0 ... 600 mbar  
 or other equivalent units of pressure or vacuum

### Working pressure

Steady: full scale value  
 Fluctuating: 0.9 x full scale value

### Operating temperature

Ambient: -20 ... +60 °C  
 Medium: +100 °C maximum  
 +80 °C maximum (NS 100 and 160 back entry)

### Temperature effect

When temperature of the pressure element deviates from reference temperature (+20 °C):  
 max. ±0.6 %/10 K of true scale value

### Ingress protection

IP 54 per EN 60 529 / IEC 529

## Standard features

### Pressure connection

Material: Cu-alloy

Lower mount (LM) or lower back mount (LBM)

NS 63: G ¼ B (male), 14 mm flats

NS 100, 160: G ½ B (male), 22 mm flats

### Pressure element

Material: Cu-alloy

### Sealing ring

NBR

### Movement

Material: Cu-alloy

### Zero adjustment

Through window

### Dial

White aluminium with black lettering

### Pointer

Black aluminium

### Case

Natural finish stainless steel

### Window

Instrument glass

### Bezel ring

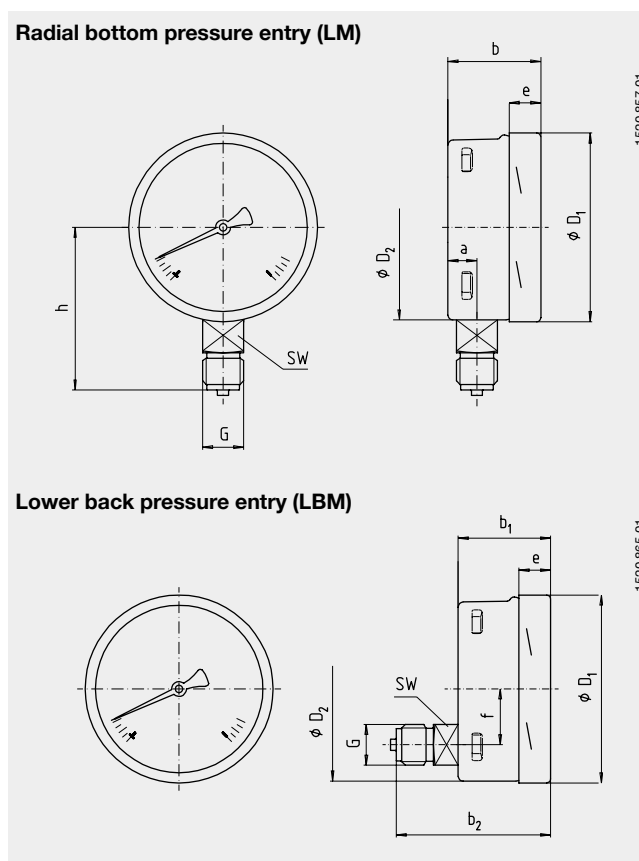
Cam ring (bayonet type), natural finish stainless steel

## Optional extras

- Other pressure connection
- Overpressure and vacuum safety
  - 10 x with scale ranges > 25 mbar,
  - 3 x with scale ranges ≤ 25 mbar
- 100 and 160 mm: Panel or surface mounting rings
- 100 and 160 mm: Narrow panel ring with clamp

## Dimensions in mm

### Standard version



NS	Dimensions in mm										Weight in kg	
	a	b	b <sub>1</sub>	b <sub>2</sub>	D <sub>1</sub>	D <sub>2</sub>	e	f	G	h ± 1		
63	9.5	33	42	63	64	62	22	1)	G ¼ B	53	14	0.19
100	15.5	49.5	49.5	83	101	99	17.5	30	G ½ B	87	22	0.60
160	15.5	49.5	49.5	83	161	159	17.5	50	G ½ B	118	22	1.10

Standard pressure entry with parallel thread and sealing to EN 837-1 / 7.3

1) Centre back pressure entry (CBM)

## Ordering information

Pressure gauge model / Nominal size / Scale range / Size and location of connection / Optional extras required

Modifications may take place and materials specified may be replaced by others without prior notice. Specifications and dimensions given in this leaflet represent the state of engineering at the time of printing.